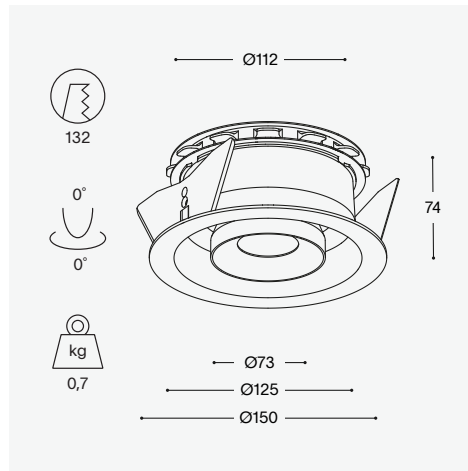


light + ventilation trim SE



light specs

lamp	LED
reflector	glass lens
driver	excluded
IP	65
CRI	80+
class	III

ventilation specs

type	air extraction
air flow	max. 50m ³ /h
pressure	7 - 75 Pa
noise level	< 25 dB(A)
adjustment	32 steps
lock mechanism	integrated

luminaire output

	2700K	3000K
	25°	25°
350mA (5.7W)	625 lm	675 lm
500mA (8.5W)	825 lm	875 lm

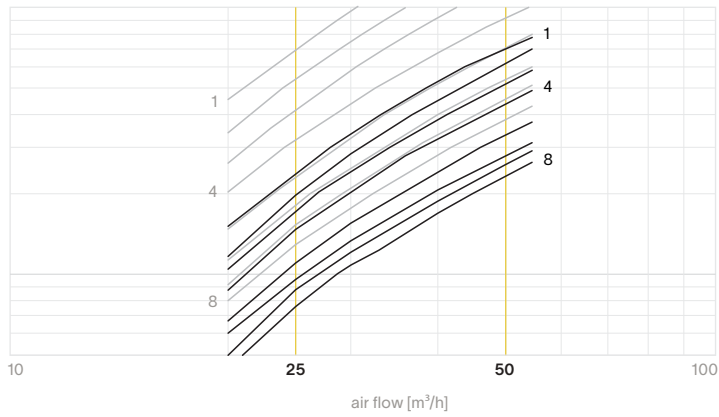
order number

	2700K	3000K
	25°	25°
black	8000 - 1377	8000 - 1378
white	8000 - 2148	8000 - 2149

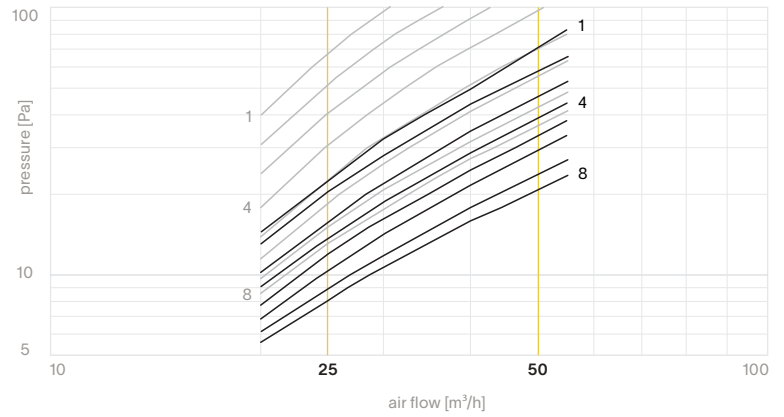
light + ventilation trim SE

ventilation - capacity graphs

air extraction



air supply*



— with 25m³/h ring

— without 25m³/h ring

*downward airflow not suited for installation in or above comfort zones

accessoires

drivers

8000 - 0021	DALI dimmable driver 38W
8000 - 0022	1-10V dimmable driver 36W
8000 - 0023	non-dimmable driver 42W
8000 - 0026	DALI dimmable driver 60W
8000 - 0027	DALI deep dim driver 20W